



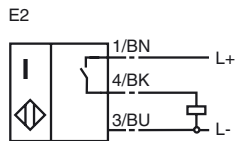
Model Number

NBN40-L2-E2-V1

Features

- Basic series
- 40 mm not embeddable
- Quick mounting shutter
- 4-way LED indicator

Connection



Accessories

V1-G

Non pre-wired cable socket

V1-W

Non pre-wired cable socket

V1-W-2M-PUR

Cable connector

MH 02-L

Mounting aid

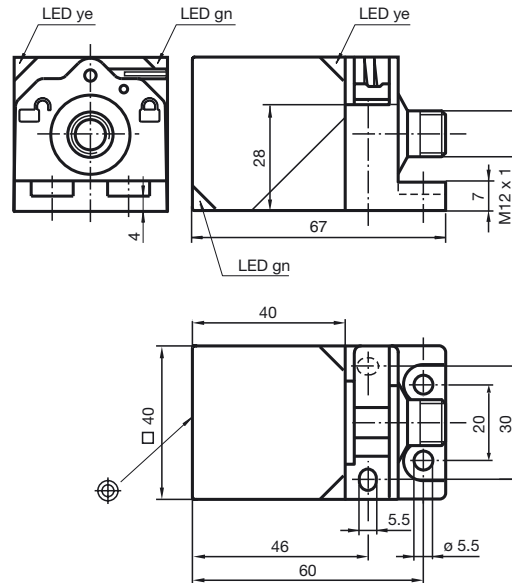
V1-G-2M-PUR

Cable connector

MHW 01

Mounting aid

Dimensions



Technical Data

General specifications

Switching element function	PNP Make function
Rated operating distance	s_n 40 mm
Installation	not embeddable
Output polarity	DC
Assured operating distance	s_a 0 ... 32.4 mm
Reduction factor r_{AI}	0.33
Reduction factor r_{Cu}	0.31
Reduction factor r_{V2A}	0.74
Reduction factor r_{Ms}	0.38

Nominal ratings

Operating voltage	U_B	10 ... 30 V
Switching frequency	f	0 ... 150 Hz
Hysteresis	H	typ. 5 %
Reverse polarity protection		protected against reverse polarity
Short-circuit protection		pulsing
Voltage drop	U_d	≤ 2 V
Design data		
Operating current	I_L	0 ... 200 mA
Off-state current	I_r	0 ... 0.5 mA
No-load supply current	I_0	≤ 20 mA
Operating voltage display		LED, green
Indication of the switching state		LED, yellow

Standard conformity

Standards	IEC / EN 60947-5-2:2004
-----------	-------------------------

Ambient conditions

Ambient temperature	-25 ... 85 °C (248 ... 358 K)
Storage temperature	-40 ... 85 °C (233 ... 358 K)

Mechanical specifications

Connection type	V1-connector
Housing material	PA-GF35
Sensing face	PA-GF35
Protection degree	IP69K
Mass	130 g

Approvals and certificates

Protection class	II
Rated insulation voltage	U_i 253 V
Design-impulse-voltage withstand	U_{imp} 4000 V
UL approval	cULus Listed, General Purpose